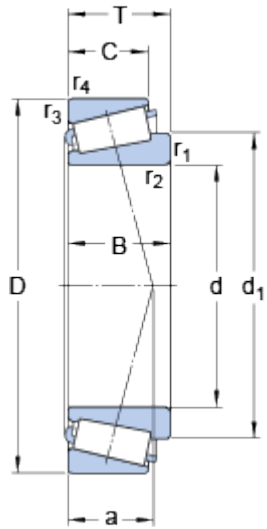


33109/Q

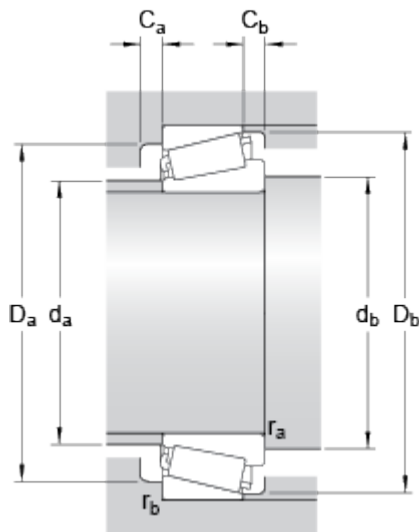
SKF Explorer

Dimensions



d		45	mm
D		80	mm
T		26	mm
d ₁	≈	63.05	mm
B		26	mm
C		20.5	mm
r _{1,2}	min.	1.5	mm
r _{3,4}	min.	1.5	mm
a		19	mm

Abutment dimensions



d _a	max.	52	mm
d _b	min.	52	mm
D _a	min.	69	mm
D _a	max.	73	mm
D _b	min.	77	mm
C _a	min.	4	mm
C _b	min.	5.5	mm
r _a	max.	1.5	mm
r _b	max.	1.5	mm

Calculation data

Basic dynamic load rating	C	96.5	kN
Basic static load rating	C ₀	114	kN
Fatigue load limit	P _u	12.9	kN
Reference speed		6700	r/min
Limiting speed		8000	r/min
Calculation factor	e	0.37	
Calculation factor	Y	1.6	

Calculation factor

Y_0

0.9

Mass

Mass bearing

0.546

kg